

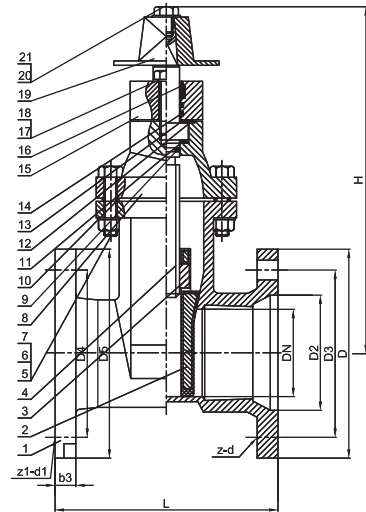
AWWA C509 Flanged x Mechanical Joint Resilient
NRS Gate Valve (JH004X)
NSF Approved



JH004X

NSF/ANSI 61

- Connection Ends: Flange to ASME B16.1 CL 125
Mechanical Joint to ANSI/AWWA C153/A21.53
- Working Pressure: 250PSI
- Temperature Range: 0°C - 80°C
- Coating: Fusion Bonded Epoxy Coating in accordance with ANSI/AWWA C550



MATERIAL SPECIFICATION

Part No.	Description	Material	Material Standard
1	BODY	DUCTILE IRON	ASTM A536
2	WEDGE Rubber Encapsulated	DUCTILE IRON/EPDM	ASTM A536/ASTM D2000
3	STEM NUT	BRASS	ASTM B16
4	STEM	STAINLESS STEEL	SS304
5	BONNET BOLT	STAINLESS STEEL	SS304
6	BONNET NUT	STAINLESS STEEL	SS304
7	BONNET WASHER	STAINLESS STEEL	SS304
8	BONNET	DUCTILE IRON	ASTM A536
9	STEM O-RING	EDPM	ASTM D2000
10	BONNET O-RING	EDPM	ASTM D2000
11	MINIPAD	TFL	
12	MINIPAD	TFL	
13	MINIPAD	TFL	
14	STEM O-RING	EPDM	ASTM D2000
15	STUFFING BOX	DUCTILE IRON	ASTM A536
16	DUST RING	EDPM	ASTM D2000
17	STUFFING BOX WASHER	STAINLESS STEEL	SS304
18	STUFFING BOX BOLT	STAINLESS STEEL	SS304
19	CAP	DUCTILE IRON	ASTM A536
19A	HANDWHEEL, (Optional)	DUCTILE IRON	ASTM A536
20	WRENCH NUT	STAINLESS STEEL	SS304
21	WRENCH WASHER	STAINLESS STEEL	SS304

Note: For special material request other than standard specification, please indicate clearly on the inquiry or order list.

DN		Dimensions (Inch/mm)											
		D		D1		b		z-d		L		H	
Inch	mm	Inch	mm	Inch	mm	Inch	mm	Inch	mm	Inch	mm	Inch	mm
1.5"	40	5.00	127	3.88	98.5	0.59	15	4-0.63	4-Φ16	6.50	165	11.02	280
2"	50	5.98	152	4.74	120.5	0.63	16	4-0.75	4-Φ19	7.01	178	11.61	295
2.5"	65	7.01	178	5.49	139.5	0.69	17.5	4-0.75	4-Φ19	7.48	190	12.99	330
3"	80	7.52	191	6.00	152.5	0.75	19	4-0.75	4-Φ19	7.99	203	14.37	365
4"	100	9.02	229	7.50	190.5	0.94	24	8-0.75	8-Φ19	9.02	229	16.73	425
5"	125	10.00	254	8.50	216	0.94	24	8-0.88	8-Φ22	10.00	254	19.88	505
6"	150	10.98	279	9.51	241.5	1.00	25.5	8-0.88	8-Φ22	10.51	267	22.64	575
8"	200	13.50	343	11.75	298.5	1.14	29	8-0.88	8-Φ22	11.50	292	28.54	725
10"	250	15.98	406	14.25	362	1.20	30.5	12-0.98	12-Φ25	12.99	330	34.06	865
12"	300	19.02	483	17.01	432	1.26	32	12-0.98	12-Φ25	14.02	356	39.17	995
14"	350	20.98	533	18.74	476	1.38	35	12-1.14	12-Φ29	15.00	381	44.29	1125
16"	400	23.50	597	21.24	539.5	1.44	36.5	16-1.14	16-Φ29	15.98	406	49.41	1255
18"	450	25.00	635	22.75	577.9	1.56	39.7	16-1.26	16-Φ32	17.01	432	54.53	1385
20"	500	27.52	699	25.00	635	1.69	43	20-1.26	20-Φ32	17.99	457	59.65	1515
24"	600	32.01	813	29.51	749.5	1.89	48	20-1.38	20-Φ35	20.00	508	70.08	1780